

▼ Press shown: IPE-5060



- Quality welded frame for maximum strength and long life
- Exclusive “Hydra-Lift” bed for effortless adjustment of the vertical daylight (10-ton models are manual)
- Roller head design is standard to allow movement and locking of the cylinder from side to side (10-ton, 25-ton and 30-ton are manual)
- All models in the Quick Selection Chart have been matched to a pump, cylinder, hoses and gauge, offering the complete package



◀ An Enerpac H-Frame press quickly removes the shaft from this assembly.

Setting the Industry Standard



Cylinder Mounting Block

Allows cylinder mounting into a press frame, while also allowing side to side adjustment of cylinder position.

Page: 148



Hydra-Lift

Allows easy, effortless daylight adjustment. Standard on most H-Frame presses.

Page: 148



Pump Mounting Bracket

Heavy-duty steel brackets allow mounting of one of the Enerpac Power Sources to power your press.

Page: 148



Gauge Included

All standard press models include a gauge and gauge adaptor, matching the press capacity.

Page: 143



V-Blocks

These optional V-Blocks are designed for easy fixturing of round stock and other non-uniform materials. Featuring precise fit into the press bolster.

Page: 148

H-Frame Presses

IP Series



Capacity:
10-200 tons

Maximum Daylight & Width:
54.50 & 48.00 inches

Maximum Operating Pressure:
10,000 psi



Cylinder Types



= Single-acting,
Spring Return



= Double-acting,
Hydraulic Return

▼ QUICK SELECTION CHART

For more technical information see next page.

Press Capacity (tons)	Maximum Vertical Daylight (in)	Maximum Bed Width (in)	Power Source					Press Model Number	Cylinder			Speed (sec/in)*	
			Type			Valve			Stroke (in)	Rapid Advance	Pressing		
			Man.	Elec.	Air	Man.	Elec.						
10	40.00	18.63		●		●				10	0.90	6.70	
	40.00	18.63			●	●				10	2.20	13.40	
	40.00	18.63	●			●				10	{4}	{15}	
	40.00	18.63	●			●			●	10	{2}	{15}	
	40.00	18.63			●	●			●	10	2.20	13.40	
25	54.50	29.00		●		●				6	1.50	15.40	
	54.50	29.00		●			●			14	.70	7.70	
	54.50	29.00			●	●				14	5.20	30.90	
	54.50	29.00	●			●				14	{5}	{34}	
30	54.50	29.00			●	●			●	14	.60	43.00	
	54.50	29.00		●			●		●	14	.90	9.80	
	54.50	29.00	●			●			●	14	{7}	{34}	
50	48.56	28.75		●			●			13	1.02	11.04	
	48.56	28.75			●	●				6	1.00	74.00	
	48.56	28.75	●			●				6	{2}	{38}	
	48.56	28.75	●			●				6	{11}	{73}	
	48.56	28.75		●		●				6	2.90	28.90	
	48.56	28.75			●	●			●	13	1.00	22.20	
	48.56	28.75		●			●		●	13	1.00	11.00	
100	42.50	35.00			●	●				10	1.90	41.20	
	42.50	35.00		●			●			10	1.90	20.60	
	42.50	35.00	●			●				10	{3}	{70}	
	42.50	35.00		●			●		●	13	1.90	20.60	
	42.50	35.00	●			●			●	6	{3}	{70}	
150	48.50	48.00		●			●		●	13	2.20	15.40	
200	48.50	48.00		●			●		●	13	3.10	22.10	

* {--} Speed in strokes per inch plunger travel

The moveable
“cylinder mounting
block” allows the
user to quickly
adapt the press
to a specific job. ▶



◀ For full features see page 140.

Press Capacity (tons)	Press Model Number	Pump Model Number	Page:	Cylinder Model Number	Page:	H-Frame Press Dimensions (in)					
						A (max)	A (min)	B	C	D	E
10	IPE-1215	PEM-1201B	75	RC-1010	6	40.00	2.44	–	46.75	5.00	18.63
	IPA-1220	PATG-1102N	94	RC-1010	6	40.00	2.44	–	46.75	5.00	18.63
	IPH-1240	P-392	62	RC-1010	6	40.00	2.44	–	46.75	5.00	18.63
	IPH-1234	P-84	64	RR-1010	32	40.00	2.44	–	46.75	5.00	18.63
	IPA-1244	PAMG-1402N	94	RR-1010	32	40.00	2.44	–	46.75	5.00	18.63
25	IPE-2505	PUJ-1200B	72	RC-256	6	54.50	7.00	–	57.00	11.88	29.00
	IPE-2510	ZE3310SB-N	86	RC-2514	6	54.50	7.00	–	57.00	11.88	29.00
	IPA-2520	PATG-1102N	94	RC-2514	6	54.50	7.00	–	57.00	11.88	29.00
	IPH-2531	P-80	64	RC-2514	6	54.50	7.00	–	57.00	11.88	29.00
30	IPA-3071	PAM-1042	97	RR-3014	32	54.50	7.00	–	57.00	11.88	29.00
	IPE-3060	ZE3410SB-N	86	RR-3014	32	54.50	7.00	–	57.00	11.88	29.00
	IPH-3080	P-84	64	RR-3014	32	54.50	7.00	–	57.00	11.88	29.00
50	IPE-5010	ZE4320SB-N	86	RC-5013	6	48.56	7.06	18.76	54.00	10.38	28.75
	IPA-5021	PAM-1022	97	RC-506	6	48.56	7.06	18.76	54.00	10.38	28.75
	IPH-5030	P-462	64	RC-506	6	48.56	7.06	18.76	54.00	10.38	28.75
	IPH-5031	P-80	64	RC-506	6	48.56	7.06	18.76	54.00	10.38	28.75
	IPE-5005	PUJ-1200B	72	RC-506	6	48.56	7.06	18.76	54.00	10.38	28.75
	IPA-5073	ZA4208MX	98	RR-5013	32	48.56	7.06	18.76	54.00	10.38	28.75
	IPE-5060	ZE4420SG-N	86	RR-5013	32	48.56	7.06	18.76	54.00	10.38	28.75
	IPH-5080	P-464	64	RR-5013	32	48.56	7.06	18.76	54.00	10.38	28.75
100	IPA-10023	ZA4208MX	98	RC-10010	6	42.50	7.00	20.00	51.00	11.69	35.00
	IPE-10010	ZE4320SB-N	86	RC-10010	6	42.50	7.00	20.00	51.00	11.69	35.00
	IPH-10030	P-462	64	RC-10010	6	42.50	7.00	20.00	51.00	11.69	35.00
	IPE-10060	ZE4420SB-N	86	RR-10013	32	42.50	7.00	20.00	51.00	11.69	35.00
	IPH-10080	P-464	64	RR-1006	32	42.50	7.00	20.00	51.00	11.69	35.00
150	IPE-15065	ZE5420SG-N	86	RR-15013	32	48.50	12.50	28.00	54.50	10.00	48.00
200	IPE-20065	ZE5420SG-N	86	RR-20013	32	48.50	12.50	28.00	54.50	10.00	48.00

H-Frame Presses

IP Series



Capacity:

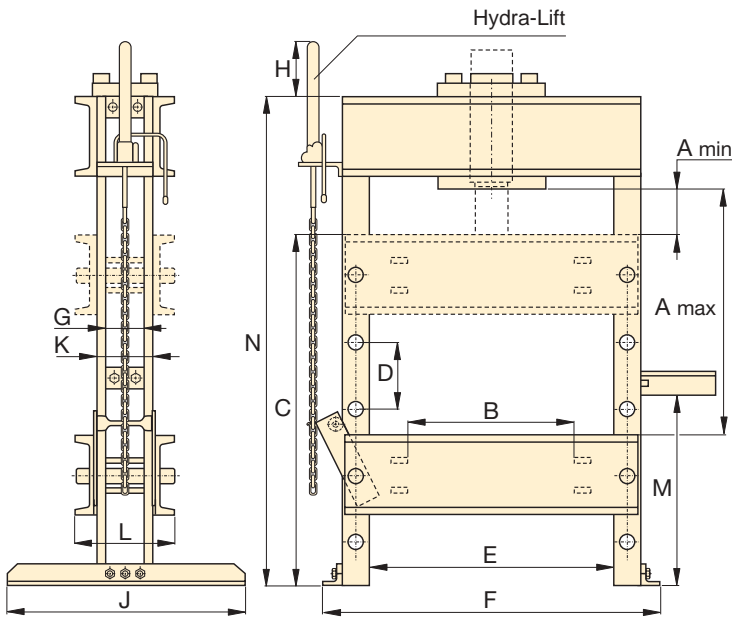
10-200 tons

Maximum Daylight & Width:

54.50 & 48.00 inches

Maximum Operating Pressure:

10,000 psi



H-Frame Press Dimensions (in)									Weight (lbs)	Press Model Number
F	G	H	J	K	L	M	N			
24.88	-	-	29.75	4.25	7.44	35.00	52.00	298	IPE-1215	
24.88	-	-	29.75	4.25	7.44	35.00	52.00	160	IPA-1220	
24.88	-	-	29.75	4.25	7.44	35.00	52.00	158	IPH-1240	
24.88	-	-	29.75	4.25	7.44	35.00	52.00	189	IPH-1234	
24.88	-	-	29.75	4.25	7.44	35.00	52.00	163	IPA-1244	
40.50	4.00	13.25	30.00	5.25	10.69	26.50	76.00	605	IPE-2505	
40.50	4.00	13.25	30.00	5.25	10.69	26.50	76.00	697	IPE-2510	
40.50	4.00	13.25	30.00	5.25	10.69	26.50	76.00	610	IPA-2520	
40.50	4.00	13.25	30.00	5.25	10.69	26.50	76.00	620	IPH-2531	
40.50	4.00	13.25	30.00	5.25	10.69	26.50	76.00	684	IPA-3071	
40.50	4.00	13.25	30.00	5.25	10.69	26.50	76.00	722	IPE-3060	
40.50	4.00	13.25	30.00	5.25	10.69	26.50	76.00	664	IPH-3080	
42.75	5.00	8.75	36.00	7.25	14.38	30.75	76.00	1,040	IPE-5010	
42.75	5.00	8.75	36.00	7.25	14.38	30.75	76.00	968	IPA-5021	
42.75	5.00	8.75	36.00	7.25	14.38	30.75	76.00	968	IPH-5030	
42.75	5.00	8.75	36.00	7.25	14.38	30.75	76.00	926	IPH-5031	
42.75	5.00	8.75	36.00	7.25	14.38	30.75	76.00	930	IPE-5005	
42.75	5.00	8.75	36.00	7.25	14.38	30.75	76.00	1,057	IPA-5073	
42.75	5.00	8.75	36.00	7.25	14.38	30.75	76.00	1,051	IPE-5060	
42.75	5.00	8.75	36.00	7.25	14.38	30.75	76.00	1,003	IPH-5080	
51.00	6.75	8.75	36.00	8.75	17.38	33.13	76.00	1,650	IPA-10023	
51.00	6.75	8.75	36.00	8.75	17.38	33.13	76.00	1,722	IPE-10010	
51.00	6.75	8.75	36.00	8.75	17.38	33.13	76.00	1,656	IPH-10030	
51.00	6.75	8.75	36.00	8.75	17.38	33.13	76.00	1,743	IPE-10060	
51.00	6.75	8.75	36.00	8.75	17.38	33.13	76.00	1,665	IPH-10080	
67.17	9.12	3.09	44.00	13.12	21.85	47.75	90.00	3,906	IPE-15065	
67.17	9.12	3.09	44.00	13.12	21.85	47.75	90.00	3,906	IPE-20065	



H-Frame Press Gauges

All standard press models include a gauge and gauge adaptor, matching the press capacity:

Press Capacity (tons)	Gauge Model Number	Adaptor Model Number
10	GF-10P	GA-2
25	GF-20P	GA-2
30	GF-835P	GA-3
50	GF-50P	GA-2
100	GF-871P	GA-3
150	GF-200P	GA-3
200	GF-200P	GA-3

For more information on gauges, please refer to the System Components section.